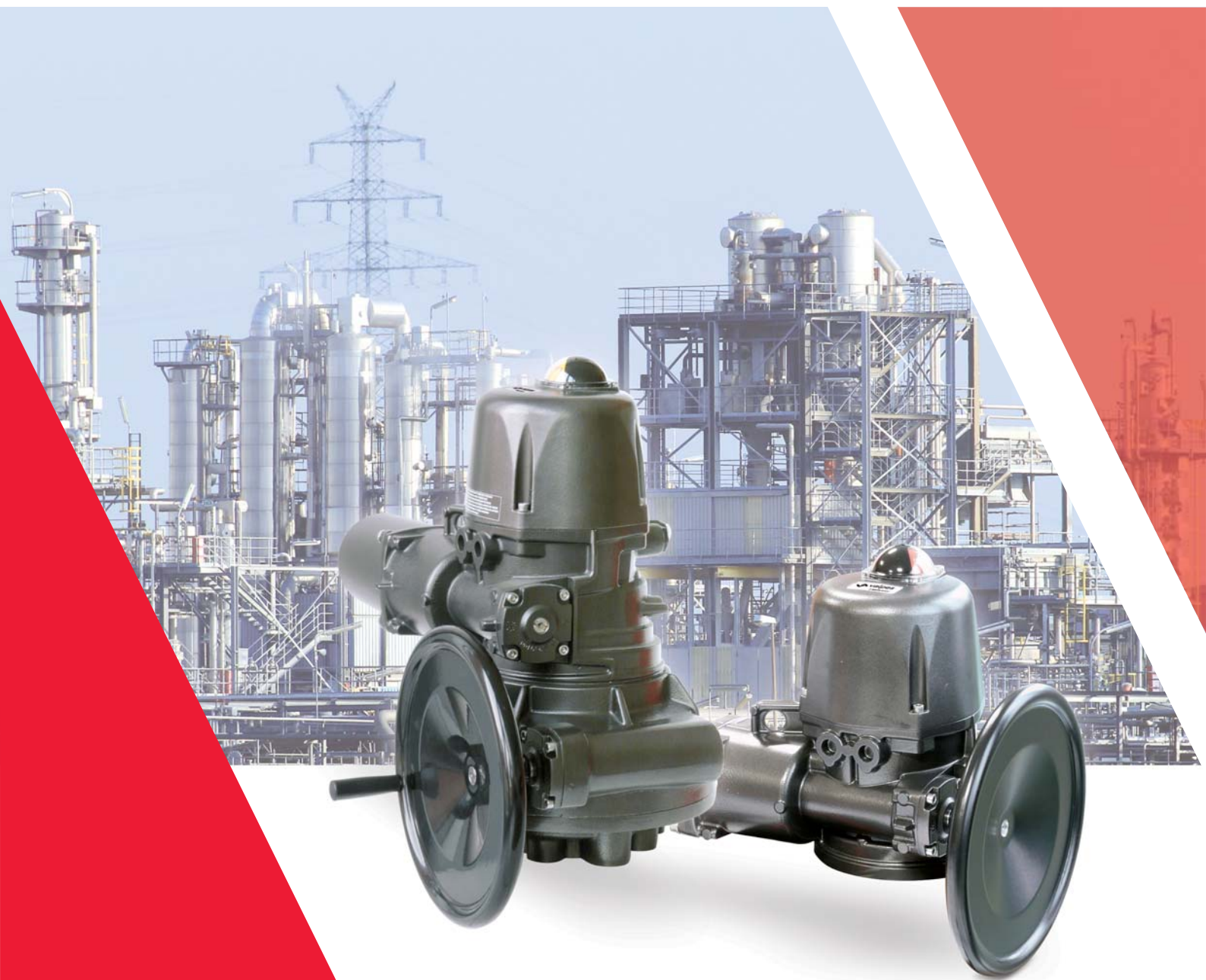


# VT

Quarter-turn electric actuator





Industry



Energy

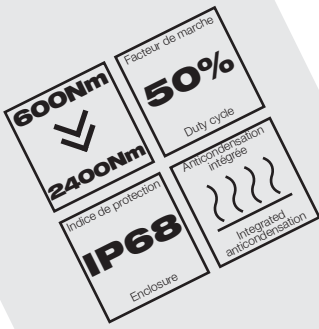


Irrigation



Water treatment





**TORQUES FROM 600 to 2400Nm**

**240V 50/60Hz AND 50Hz 3-PHASE 400V**

**DUTY CYCLE S4-50%**

**MECHANICAL TORQUE LIMITER**

**ISO 5211 STANDARD CONNECTION PLATE**  
F10-F12 Star 38mm | F12-F14-F16 Star 46mm • Stainless steel conversion sleeves

**IP68 | -20°C to +70°C**

**FAILURE MODE**  
Actuator status

**MECHANICAL STOPS**  
Adjustable  $\pm 5\%$

**MANUAL OVERRIDE**  
Hand wheel

**ANTICONDENSATION HEATER**  
Self-regulated 10W

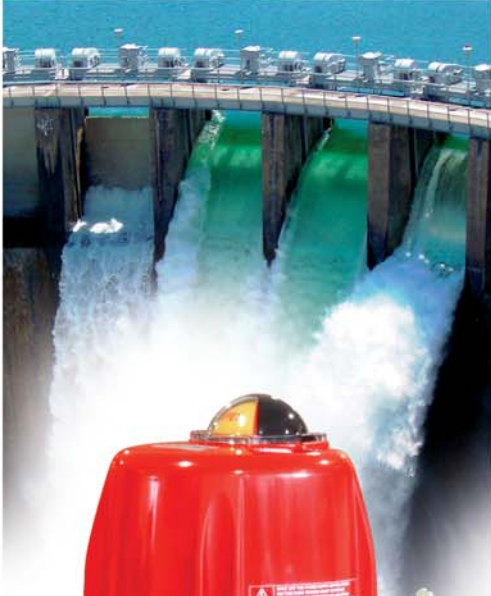
**MARINE COATING**  
15-year warranty high durability painting for aggressive environment

**CE • RoHS • REACH • ATEX • IECEx • EACEx**

**WARRANTY**

3-year warranty or 50 000 actuations

# TECHNOLO



**Standard**  
1500•2400Nm

**Standard**  
600•1000Nm



**ATEX**  
600•1000Nm

## Resistant enclosure with IP68 protection

Aluminium housing and polyamide PA6 UL 94 V-0 cover (aluminium cover in op

## ISO 5211 connection plate

- VT600-1000 = F10/F12 star 36mm
- VT1500-2400 = F12/F14/F16 star 46
- Stainless steel conversion sleeves (star - square - DD)

## Various possible rotation angles

- 4 electrical limit switches including 2 auxiliaries for the feedback information
- Adjustable ( $\pm 5^\circ$ ) mechanical stops as standard for  $90^\circ$  ( $180^\circ$  or  $270^\circ$  without m

## Torque limiter and failure report

When the actuator is submitted to over torque, it goes into failure mode thanks t  
informed of this after wiring a dedicated terminal during the installation. Safety, e

## Options

- Card with two extra limit switches (EFC.2)
  - Feedback potentiometer (EPR.B)
  - Aluminium cover with epoxy coating (500 hours / salt spray)
- 1 or 2  
• 0-10V,

# LOGY AND CONTROL...

## ...FOR INDUSTRIAL APPLICATIONS



tion)

mm

mechanical stop)

to its mechanical torque limiter. It is possible to be  
easy servicing and trouble free using.

3P+T M12 connectors (ECM.1 or ECM.2)  
0-20mA or 4-20mA transmitter (EPT.C)

### VT600

Maximum torque  
**600Nm**

90° operating time  
**38s**

Star drive nut  
**36mm**  
depth 40mm

ISO 5211 connection  
**F10 | F12**  
depth 20mm | 24mm

Number of limit switches  
**4**

Rotation angle  
**90°**

Duty cycle  
**50%**

Number of starts / hour  
**50**

Temperature  
**-20°C to +70°C**

IP enclosure  
**IP68**

Weight  
**22kg**

### VT1000

Maximum torque  
**1000Nm**

90° operating time  
**38s**

Star drive nut  
**36mm**  
depth 40mm

ISO 5211 connection  
**F10 | F12**  
depth 20mm | 24mm

Number of limit switches  
**4**

Rotation angle  
**90°**

Duty cycle  
**50%**

Number of starts / hour  
**50**




Temperature  
**-20°C to +70°C**

IP enclosure  
**IP68**

Weight  
**22kg**

### Marine 600•2400Nm



- EMC electromagnetic compatibility**  
2014/30/UE | EN61000-6-2 (2006)
- Machinery directive**  
2006/42/CE | component for incorporation
- 


**Explosive atmosphere**  
94/9/CE directive



## VT1500

Maximum torque  
**1500Nm**

90° operating time  
**113s**

Star drive nut  
**46mm**  
depth 50mm

ISO 5211 connection  
**F12 | F14 | F16**  
depth 20mm | 25mm | 30mm

Number of limit switches  
**4**

Rotation angle  
**90°**

Duty cycle  
**50%**

Number of starts / hour  
**15**

Temperature  
**-20°C to +70°C**

IP enclosure  
**IP68**

Weight  
**54kg**

## VT2400

Maximum torque  
**2400Nm**

90° operating time  
**113s**

Star drive nut  
**46mm**  
depth 50mm

ISO 5211 connection  
**F12 | F14 | F16**  
depth 20mm | 25mm | 30mm

Number of limit switches  
**4**

Rotation angle  
**90°**

Duty cycle  
**50%**

Number of starts / hour  
**15**

Temperature  
**-20°C to +70°C**

IP enclosure  
**IP68**

Weight  
**54kg**

Compatibility  
EN61000-6-4 (2007)

**Low voltage directive**  
2006/95/CE | EN61010-1 (2001)

**IP68 housing tested**  
CEI60529 (2000) | NF EN 60529 (2001)

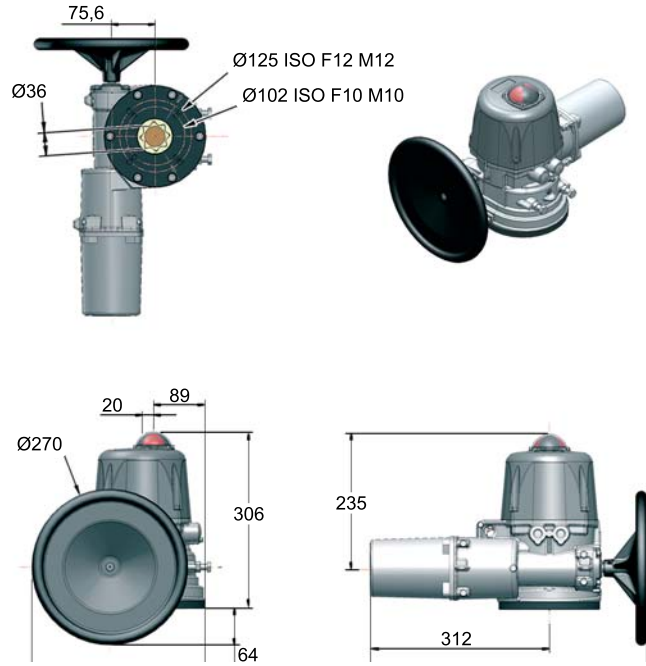
**Certified for marine applications**  
High Durability painting, compliant with the NF EN ISO 12 944-1 standard and 15-year warranty

Explosion atmospheres approval (VTX600Nm & VTX1000Nm)  
Directive - II 2 G D - Ex d IIB T5 Gb - Ex tb IIIC T90°C Db - LCIE 15 ATEX 3012 X - IECEx LCIE 15.0074X

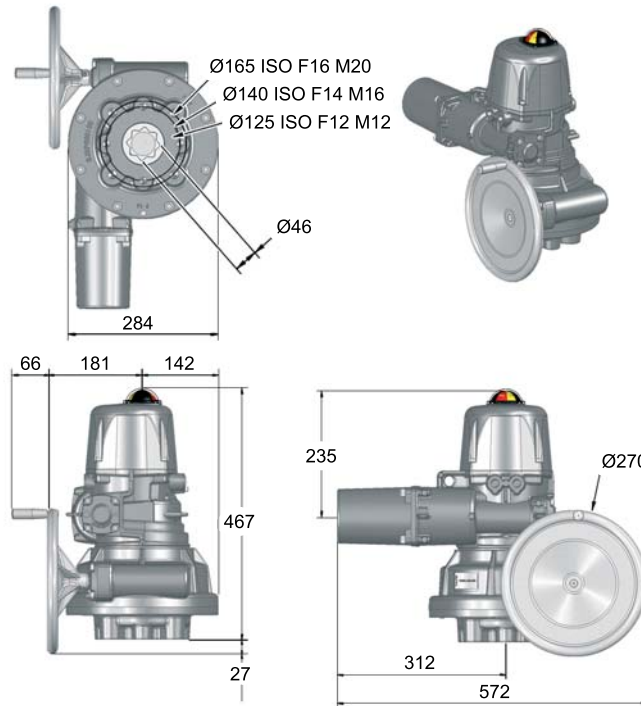




## VT600 • VT1000



## VT1500 • VT2400



Please refer to our technical literature for any further information.

Valpes reserves the right to change or remove products or services from its range at any time and without prior notification or obligation. Valpes disclaims all responsibilities for consequences resulting from the use of this document. There is no guarantee that the information provided here is complete, accurate or up to date.



A WATTS Brand

**ROMYNOX** HENRICUSKADE 119A | 2497 NB THE HAGUE | THE NETHERLANDS | T +31 (0)85 043 31 10 | E INFO@ROMYNOX.NL | WWW.ROMYNOX.NL