

### ANSCHLÜSSE TYPE OF CONNECTIONS

#### Schraubverbindung

DN 06 - 18

Voller Durchgang

Schnelle und einfache Montage

(einfache Verschraubung ohne Schweißen)

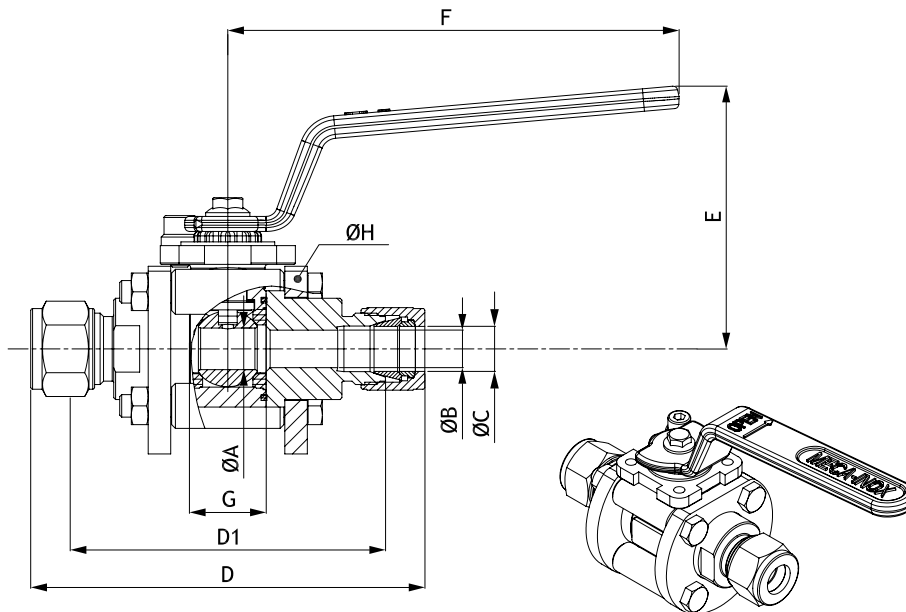
#### Compression fittings

Size 06 to 18

Full bore

Fast and easy valve installation

(nut screwing without welding)



DN Size	PN	Ø A	Ø B	Ø C	D	D1	E	F	G	Ø H	ISO 5211
06	100	11.1	4.8	OD 6	98	83.2	70	120	20.4	56	F03
08	100	11.1	6.4	OD 8	98	83	70	120	20.4	56	F03
10	100	11.1	7.9	OD 10	99.6	84.4	70	120	20.4	56	F03
12	100	11.1	9.8	OD 12	104.7	84.5	70	120	20.4	56	F03
1/2"(OD)	100	11.1	9.8	OD 1/2"	104.7	84.5	70	120	20.4	56	F03
18	100	14	14	OD 18	113.8	93.6	73	120	24.4	63	F03